



The HXM plate mounted axial flow fans are manufactured from pressed galvanised steel and protected from corrosion by a beige epoxy-polyester paint finish.

All models include a steel finger proof guard as standard mounted to the inlet side of the fan.

Impellers are manufactured from galvanised steel sheet and finished with black polyester paint.

Motor

HXM-200 to HXM-350: Single phase speed controllable motor 230V-50/60Hz equipped with thermal protection, IP44, Class B insulation, flexible cable (length: 50cm) for connection to the electrical supplies and ball bearings greased for life.

HXM-400: External rotor motor, IP44, Class F insulation, fitted with thermal protection and wiring terminal box.

Additional Information

Standard air direction: form (A) configuration (Motor over Impeller).



Configuration model HXM-400



Provided with cable for connection to the electrical supplies

Motor protected from corrosion by epoxy-polyester paint finish.
Cable to ease connection to electrical supplies (except for HXM-400 model).



HXM-400 model terminal box

Wiring terminal box including the capacitor.

TECHNICAL CHARACTERISTICS

Before making any electrical connection ensure that the voltage and frequency of the mains electrical supply matches that of the fan data plate label.

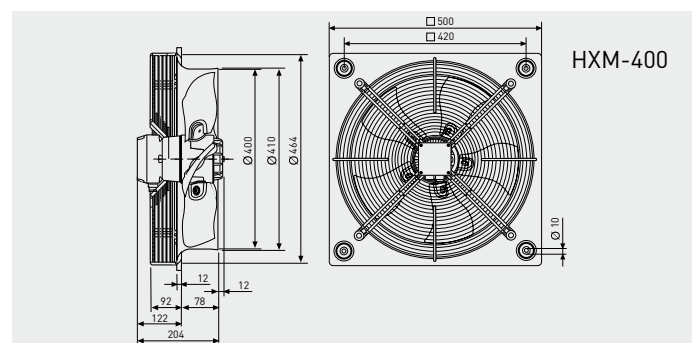
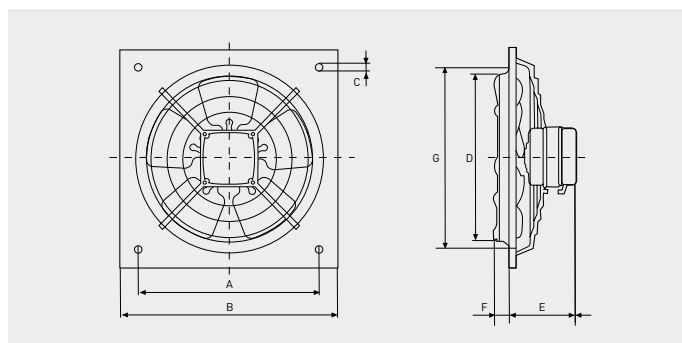
Model	Speed (rpm)	Maximum absorbed power (W)	Maximum absorbed current (A)	Sound pressure level * (dB(A))	Maximum air volume (m ³ /h)	Working temperature (°C)	Weight (kg)	Speed controller	
								REB	RMB
HXM-200	1330	36	0,2	42	530	-15/+40	1,8	REB-1N	RMB-1,5
HXM-250	1370	58	0,4	46	780	-15/+40	2,2	REB-1N	RMB-1,5
HXM-300	1370	75	0,5	50	1.160	-15/+40	3,2	REB-1N	RMB-1,5
HXM-350	1350	104	0,6	53	1.750	-15/+40	4,3	REB-1N	RMB-1,5
HXM-400	1255	151	0,7	56	3.670	-40/+60	9,0	REB-1N	RMB-1,5

* Sound pressure measured in free field condition at 1,5 m.

ACOUSTIC CHARACTERISTICS

Model	63	125	250	500	1.000	2.000	4.000	8.000	LwA
HXM-200	34	53	46	51	46	44	41	39	57
HXM-250	36	50	52	58	52	50	45	40	61
HXM-300	36	48	52	62	56	54	48	41	64
HXM-350	48	55	62	63	59	56	50	46	67
HXM-400	43	61	63	63	64	63	58	50	70

DIMENSIONS (mm)



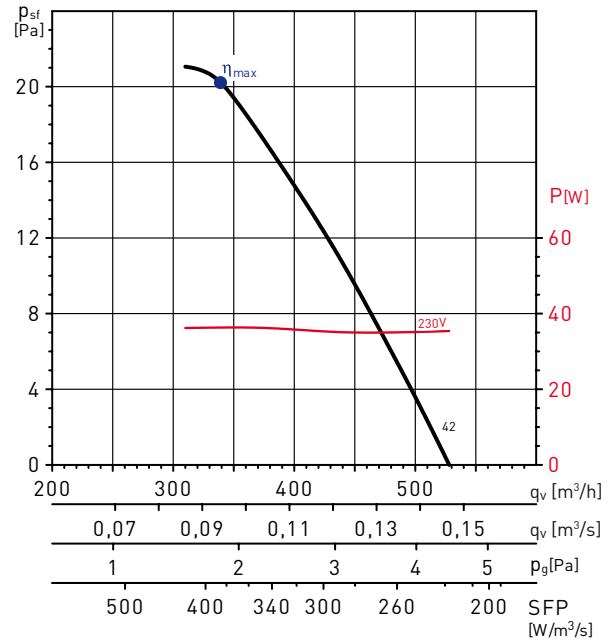
Model	∅ A	∅ B	∅ C	∅ D	E	F	∅ G
HXM-200	222,5	266	9,5	205	88	19,5	211
HXM-250	275,5	333	9,5	255	99	31,5	261
HXM-300	336,5	400	10,5	305	99	35,5	311
HXM-350	390,5	465	10,5	361	106	34,5	371

PERFORMANCE CURVES

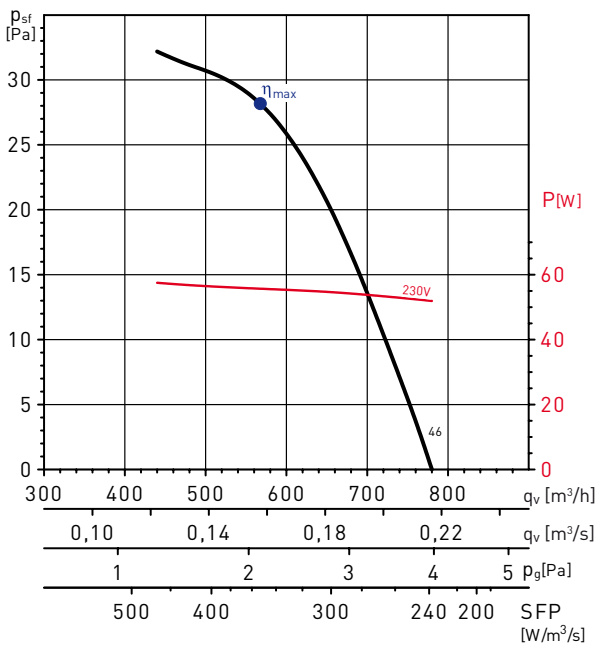
- q_v : Air volume in m^3/h and m^3/s .
- p_{st} : Static pressure in Pa.
- p_g : Protection guard pressure drop in Pa.
- SFP: Specific fan power in $W/m^3/s$.
- P: Absorbed power in W.
- Measurement category: A.
- Efficiency category: static.
- Fan efficiency without speed control.
- Fan tested without protection guard.
- Airflow data in accordance with ISO 5801.
- Sound pressure levels in dB(A), measured at 1,5 meters in free field.

MC	Measurement category
EC	Efficiency category
VSD	Speed control: supplied with the fan
SR	Specific ratio
η [%]	Efficiency
N	Efficiency grade
[kW]	Absorbed power
[m³/h]	Air volume
[Pa]	Static pressure
[RPM]	Speed

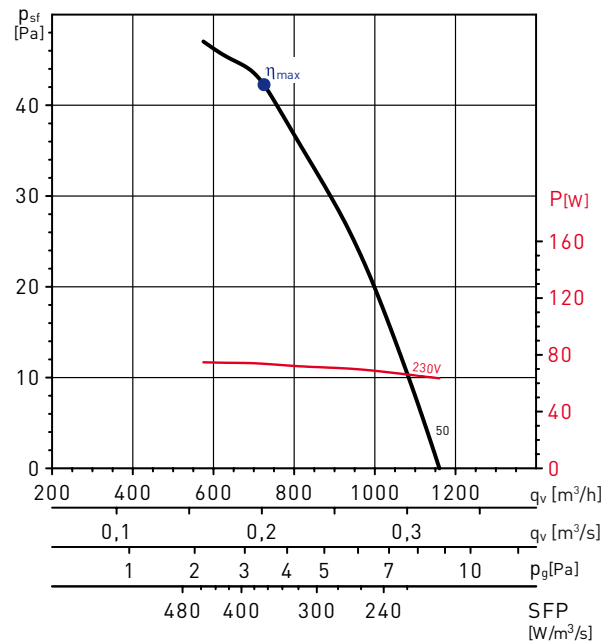
HXM-200



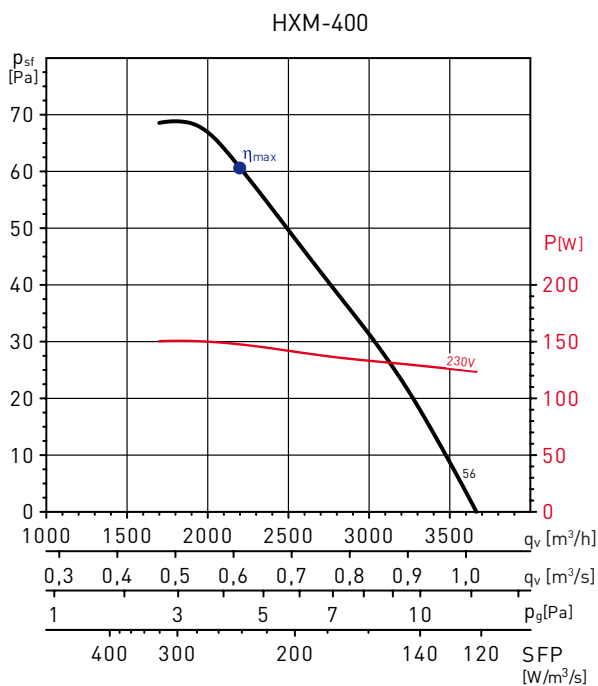
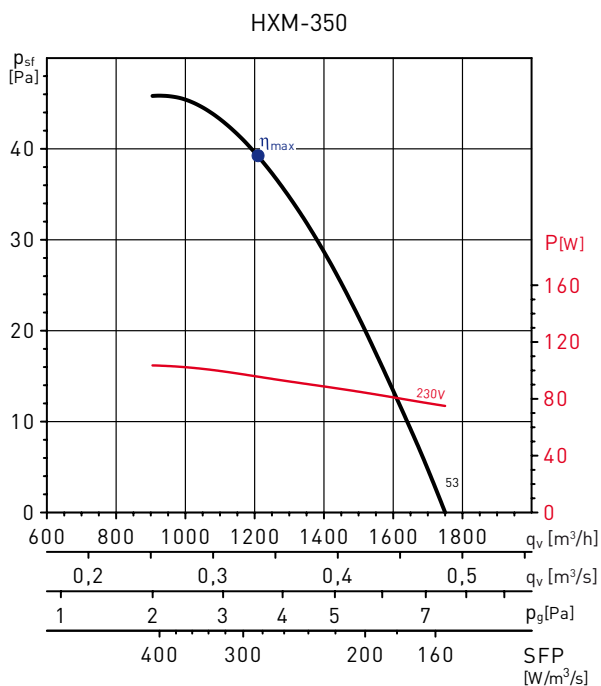
HXM-250



HXM-300



PERFORMANCE CURVES



MC*	EC*	VSD*	SR*	η[%]*	N*	[kW]	qv [m³/h]	[Pa]	[RPM]
B	Static	No	1,001	25,1	36,7	0,148	2198	61	1103

* See example curve.

MOUNTING ACCESSORIES



Model	Back draft Shutters	
	Plastic	Metal
HXM-200	PER - 200 W	PER - 250 CN
HXM-250	PER - 250 W	PER - 250 CN
HXM-300	PER - 355 W	PER - 355 CN
HXM-350	PER - 355 W	PER - 355 CN
HXM-400	PER - 400 W	PER - 400 CN

ELECTRICAL ACCESSORIES



REB
Electronic,
single phase
speed controller.



RMB
Auto transformer,
single phase
speed controller.